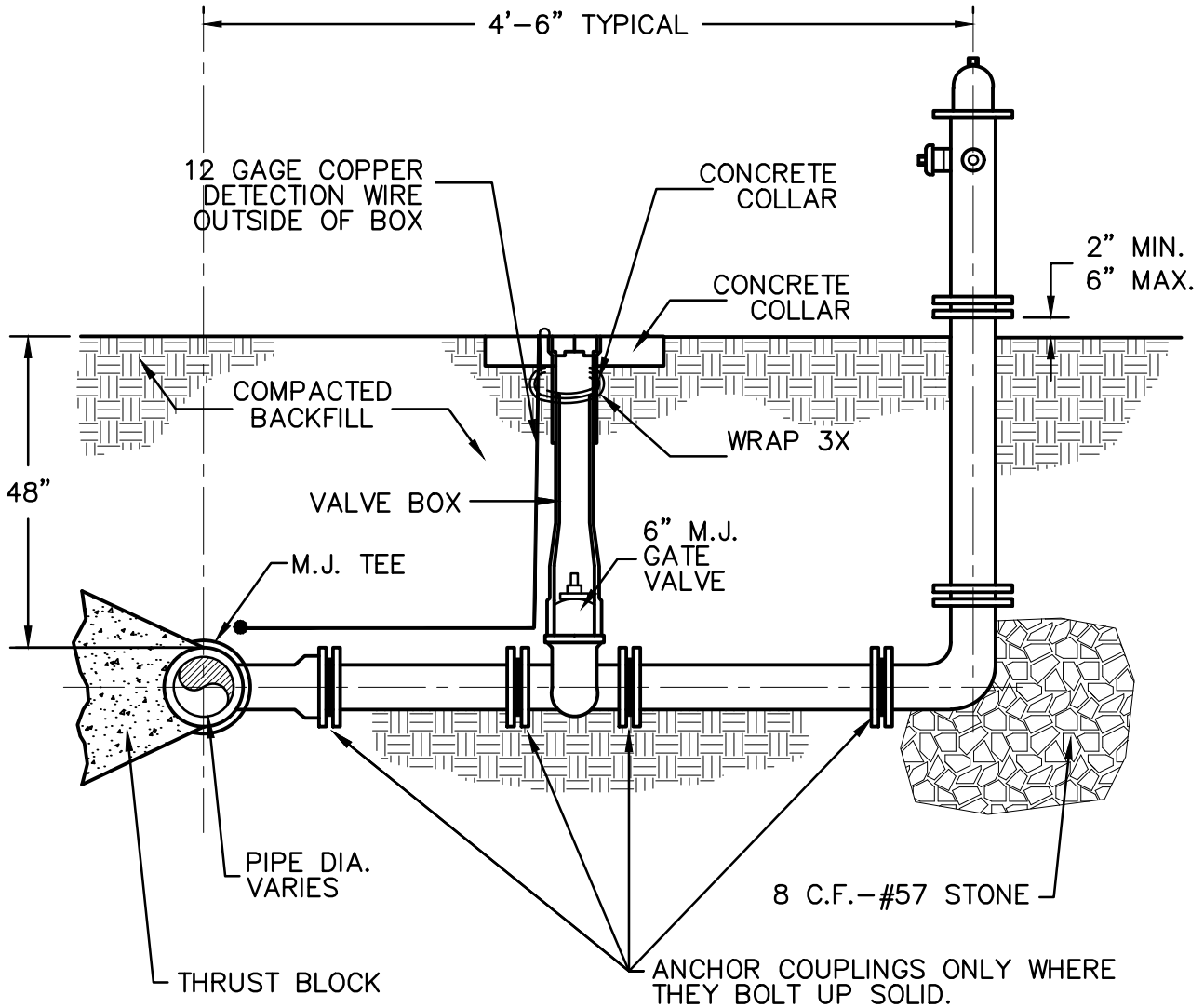


3-WAY FIRE HYDRANT PER SECTION 02645



NOTE:

1. INSTALL NON-METALLIC TAPE APPROXIMATELY 24" ABOVE PIPE.
2. NO FIRE HYDRANTS SHALL BE INSTALLED IN CONCRETE FINISHED SURFACES OR IN SIDEWALK.

TOWN OF BRASELTON WATER & SEWER DEPARTMENTS

JOB TITLE STANDARD DETAIL	SHEET TITLE FIRE HYDRANT ASSEMBLY	DRN. BY: EMI	REV. NO.	BY	DATE
		CKD BY:	A	EMI	05/01/18
		APPD. BY:			
		DATE: JAN. 2001			
		DETAIL No. W-7	FILE No. 03033\W-7.dwg	SCALE: N.T.S.	