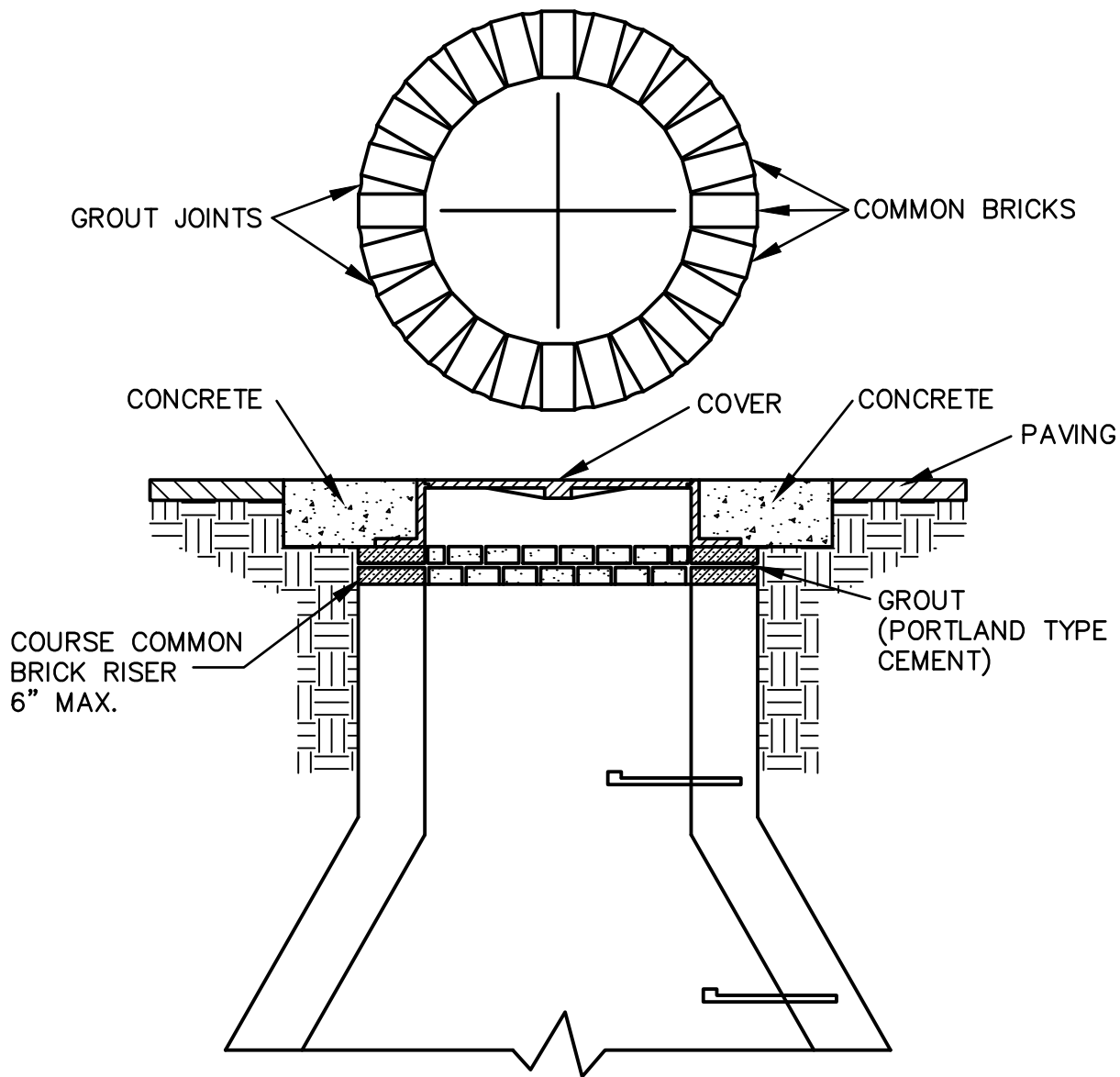


TOP VIEW OF BRICK  
RISER DETAIL



**NOTE:** BRICK SHALL BE USED WHEN UPWARD ADJUSTMENTS TO FINISHED GRADE ARE REQUIRED.

**TOWN OF BRASELTON WATER & SEWER DEPARTMENTS**

JOB TITLE  STANDARD DETAIL	SHEET TITLE  <b>LID GROUTING DETAIL</b>	DRN. BY: EMI	REV. NO.	BY	DATE
		CKD BY:			
		APPD. BY:			
		DATE: SEP. 2004			
		DETAIL No. S-7	FILE No. 03033\S-7.dwg	SCALE: N.T.S.	