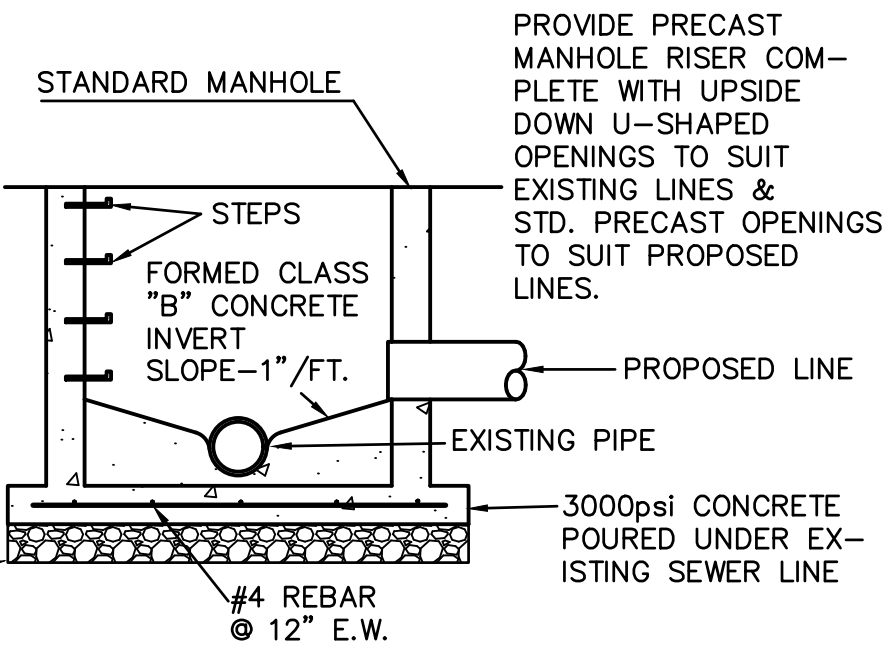


NOTE:
 OPENINGS BETWEEN
 EXISTING PIPE AND
 NEWLY INSTALLED
 DOGHOUSE MH SHALL
 BE SEALED WITH
 NON-SHRINK HYDRAULIC
 CEMENT.



NOTE:
 TABLES ARE TO BE
 GENTLY SLOPED AND
 TROWELED SMOOTH
 FROM MANHOLE WALL
 TO INVERT WALL HEIGHT
 AND CONSTRUCTED OF
 AGGREGATE-MIX CEMENT
 WITH SMOOTH VENEER
 FINISH.

PROVIDE PRECAST
 MANHOLE RISER COM-
 PLETE WITH UPSIDE
 DOWN U-SHAPED
 OPENINGS TO SUIT
 EXISTING LINES &
 STD. PRECAST OPENINGS
 TO SUIT PROPOSED
 LINES.

NEW PIPE SHALL BE LOCATED AT THE
 TOP OF INVERT TABLE.

NOTE:
 DEVELOPER/CONTRACTOR IS REQUIRED TO PERFORM VACUUM TESTS
 IN ACCORDANCE WITH SECTION 02601-MANHOLES, OF THE TOWN OF BRASELTON
 STANDARD SPECIFICATIONS (LATEST EDITION)

TOWN OF BRASELTON WATER & SEWER DEPARTMENTS

JOB TITLE STANDARD DETAIL	SHEET TITLE DOGHOUSE MANHOLE	DRN. BY: EMI	REV. NO.	BY	DATE
		CKD BY:			
		APPD. BY:			
		DATE: SEP. 2004			
		DETAIL No. S-5	FILE No. 03033\S-5.dwg	SCALE: N.T.S.	