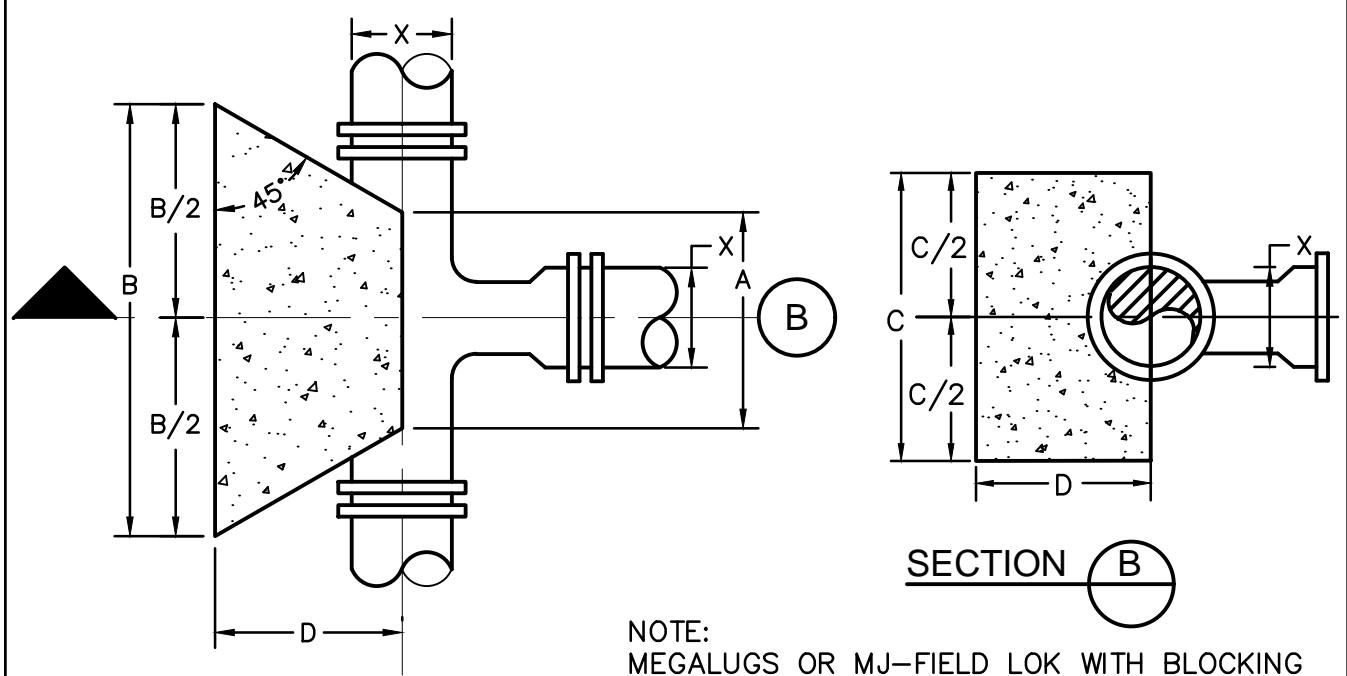


UNBALANCED TEE OR PLUG - PLAN



TEE - PLAN

NOTE:
MEGALUGS OR MJ-FIELD LOK WITH BLOCKING
REQUIRED ON ALL FITTINGS.

NOTE: DEVELOPER/CONTRACTOR IS REQUIRED TO PERFORM HYDROSTATIC PRESSURE TESTS IN ACCORDANCE WITH SECTION 02661—"REUSE WATER DISTRIBUTION SYSTEMS", OF THE TOWN OF BRASELTON STANDARD SPECIFICATIONS (LATEST EDITION).

SHEET 1 of 5

TOWN OF BRASELTON WATER & SEWER DEPARTMENTS

JOB TITLE STANDARD DETAIL	SHEET TITLE THRUST BLOCKING DIMENSIONS (200 psi LINE PRESSURE)	DRN. BY: EMI	REV. NO.	BY	DATE
		CKD BY:	A	EMI	7/30/18
		APPD. BY:			
		DATE: JUNE 2018			
		DETAIL No. R-1	FILE No. 03033 R-4.dwg	SCALE: N.T.S.	