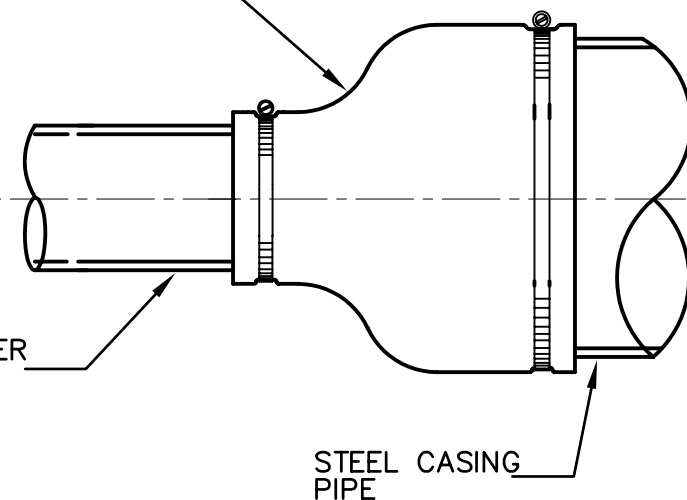
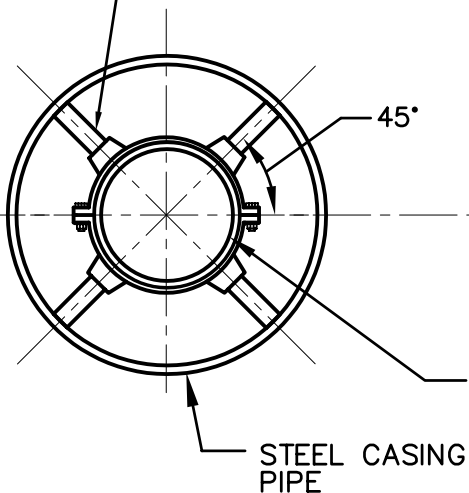


STAINLESS STEEL SPACER  
AS MFG. BY APS, INC. OR  
APPROVED EQUAL.

SEAMLESS SYNTHETIC RUBBER SEAL,  
1/8"MIN. THICKNESS W/ STAINLESS  
STEEL BANDING STRAPS(2EA.) AS MFG.  
BY APS, INC. OR APPROVED EQUAL.



**SPACER DETAIL**

**END SEAL DETAIL**

NOTE: SPACERS REQUIRED AT EACH END OF CASING, AT BELLS,  
AND IN THE MIDDLE OF EACH JOINT OF PIPE.

THIS DEAIL APPLIES TO BURIED APPLICATIONS ONLY.  
ABOVE GROUND INSTALLATIONS SHALL BE UV PTOTECTED.

**TOWN OF BRASELTON WATER & SEWER DEPARTMENTS**

JOB TITLE  STANDARD DETAIL	SHEET TITLE  <b>CASING DETAIL</b>	DRN. BY: EMI	REV. NO.	BY	DATE
		CKD BY:			
		APPD. BY:			
		DATE: JUNE 2006			
		DETAIL No. S-16	FILE No. 03033\S-16.dwg	SCALE: N.T.S.	